

## EXTENSIONS

Tool Tiles and Tool Rails .....	430-431
Work Tools.....	432
Marker Boards.....	433
Metal Center Drawers.....	433
Technology Modules.....	433
Worksurface Power/Data Module.....	433
CPU Hammocks .....	434
Keyboard Platforms .....	434
Metal Corner Sleeves .....	434
Archie Footrest.....	434
Task Lights, Link Light, LED Undercabinet Light .....	435
Down Lights, Ibis Lights .....	436
T8 Task Lights, Wand LED Task Lights .....	437

# Organization

## Extensions™ — Tool Tiles

For specification information see pages 379-382 of the 8/10 Systems Specification Guide.

GSA SIN 711-1

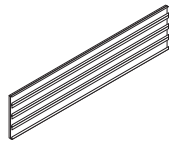
REACH

PERSONAL STORAGE

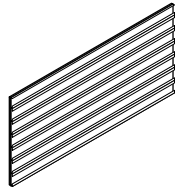
SHARED STORAGE

EXTENSIONS

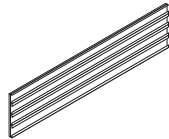
APPENDIX



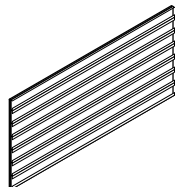
Description	Model	Core Paint List Price	Select Paint List Price
<b>7½" H Stride Tool Tiles — used to support Extensions paper management accessories</b>			
20" W	Z40720SW	\$ 134	\$ 164
24" W	Z40724SW	\$ 134	\$ 164
30" W	Z40730SW	\$ 140	\$ 170
36" W	Z40736SW	\$ 145	\$ 175
42" W	Z40742SW	\$ 150	\$ 180
48" W	Z40748SW	\$ 163	\$ 193
60" W	Z40760SW	\$ 173	\$ 203



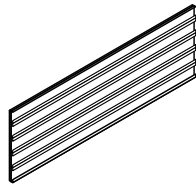
<b>15" H Stride Tool Tiles — used to support Extensions paper management accessories</b>			
20" W	Z41520SW	\$ 196	\$ 226
24" W	Z41524SW	\$ 208	\$ 238
30" W	Z41530SW	\$ 223	\$ 253
36" W	Z41536SW	\$ 242	\$ 272
42" W	Z41542SW	\$ 255	\$ 285
48" W	Z41548SW	\$ 271	\$ 301
60" W	Z41560SW	\$ 288	\$ 318



<b>7½" H Terrace DNA Tool Tiles — used to support Extensions paper management accessories</b>			
24" W	TK40724SW	\$ 188	\$ 216
30" W	TK40730SW	\$ 202	\$ 230
36" W	TK40736SW	\$ 221	\$ 249
42" W	TK40742SW	\$ 234	\$ 262
48" W	TK40748SW	\$ 250	\$ 278
60" W	TK40760SW	\$ 267	\$ 295



<b>15" H Terrace DNA Tool Tiles — used to support Extensions paper management accessories</b>			
24" W	TK41524SW	\$ 208	\$ 237
30" W	TK41530SW	\$ 223	\$ 252
36" W	TK41536SW	\$ 242	\$ 271
42" W	TK41542SW	\$ 255	\$ 284
48" W	TK41548SW	\$ 271	\$ 300
60" W	TK41560SW	\$ 288	\$ 317



<b>8" H Align Tool Tiles — used to support Extensions paper management accessories</b>			
24" W	YT0824SW	\$ 134	\$ 165
30" W	YT0830SW	\$ 148	\$ 179
36" W	YT0836SW	\$ 160	\$ 191
42" W	YT0842SW	\$ 170	\$ 201
48" W	YT0848SW	\$ 182	\$ 213
60" W	YT0860SW	\$ 194	\$ 225

**NOTE:** Tool tiles placed at worksurface height limit selection of work tools available. Folder Holders, Multi-Media Hangers, and Binder Bins extend below a 7½" H or 8" H tool tile. Paper Wave and contents extend above a single 7½" H or 8" H tool tile.

How to specify —  
Select the  
Model Number  
from above.

1st Option:

Paint:



See inside front cover  
for finishes.

<p>How to specify — Select the Model Number from above.</p>	<p>1st Option: Paint:  See inside front cover for finishes.</p>
---	---

Example: YT0824SW.P52


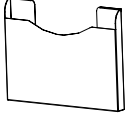

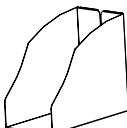





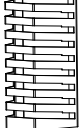
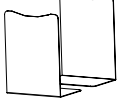


Shippable by small-package carrier.



# Organization

For specification information see pages 379-382 of the 8/10 Systems Specification Guide.

GSA SIN 711-1

	Description	Model	List Price	Select Paint List Price
	<b>Mail Box</b> A E 9"D x 15"W	EAPT <input type="checkbox"/>	\$ 65	\$ 77
	<b>Folder Holder</b> A E 9"H x 12"W	EAFS <input type="checkbox"/>	\$ 67	\$ 79
	<b>Phone Caddy</b> A E 9"W x 11"D	EATS <input type="checkbox"/>	\$ 81	\$ 93
	<b>Binder Bin</b> A E 8½"H x 5¼"W x 10"D	EABS <input type="checkbox"/>	\$ 65	\$ 77
	<b>Tool Box Pencil and CD Holder</b> A E 5"H x 5¼"W x 1½"D	EADH <input type="checkbox"/>	\$ 52	\$ 64
	<b>Clip Caddy™</b> A E 2"H x 7"W x 3½"D	EAAC <input type="checkbox"/>	\$ 46	\$ 58
	<b>Sidebar™ Personal Shelf</b> A E 2"H x 21"W x 7"D	EAPS <input type="checkbox"/>	\$ 67	\$ 79
	<b>Paper Wave™</b> Tray size: 2½"H x 6"W x 10"D A E Dividers: 9½"H x 9"W	EASS <input type="checkbox"/>	\$ 91	\$ 103
	<b>Gripper Clip</b> Package of 2 — 5"W x 2"H	EAPC <input type="checkbox"/>	\$ 67	\$ 79
	<b>Multi-Media Hangar</b> E 10"H x 5½"W x 3½"D	EAMH <input type="checkbox"/>	\$ 65	\$ 77
	<b>Bookends</b> (specify paint color) E Pair — 8"H x 6"W x 4"D	EABE <input type="checkbox"/>	\$ 62	\$ 74
	<b>Freestanding Mail Box</b> (specify paint color) E Pair — 4½"H x 13¼"W x 9"D	EAFT <input type="checkbox"/>	\$ 133	\$ 145
	<b>Coat Hooks</b> (black only) E Package of six	PMC6 <input type="checkbox"/>	\$ 65	N/A

**A** Available in **Everyday Advantage**. Check fabrics and finishes listings for **A** selections.

**E** Available in **Express Solutions**. Check fabrics and finishes listings for **E** selections.

<p><b>How to specify —</b> Select the Model Number from above.</p>	<p><i>1st Option:</i> <b>Paint:</b> <input type="radio"/> C <input type="radio"/> S See inside front cover for finishes.</p>
<p>P       .</p>	<p>P      </p>

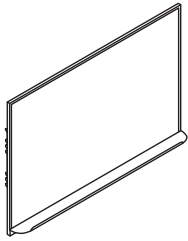
Examples: EAPT.P4J EABE.P4J PMC6.P

Shippable by small-package carrier.

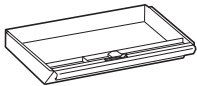
# Organization Extensions™ — Marker Boards / Center Drawers / Technology Modules

For specification information see pages 379-382 of the 8/10 Systems Specification Guide.

GSA SIN 711-1, 711-2, 711-11

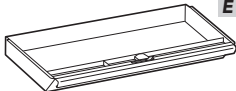


Description	Model	List Price
<b>Marker Board</b>		
36"W x 24"H	MRK36 <span>S</span>	\$ 377
42"W x 24"H	MRK42 <span>S</span>	\$ 409
48"W x 24"H	MRK48 <span>S</span>	\$ 424



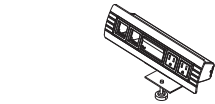
Angled front

Description	Model	List Price	Select Paint List Price
<b>Metal Center Drawer w/Lock</b>			
<b>E</b> 19"W x 14¼"D x 3"H	CSDC19 <span>S</span>	\$ 140	\$ 154
<ul style="list-style-type: none"> <li>• 12" drawer extension (3/4).</li> <li>• Inside drawer dimension: 19"W x 13"D x 2⅝"H.</li> <li>• Minimum clearance for mounting: 21¼"W x 19¼"D.</li> </ul>			

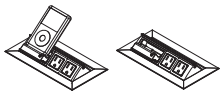


Angled front

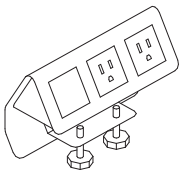
<b>E</b> 24¼"W x 14¼"D x 3"H	CSDC25 <span>S</span>	\$ 144	\$ 158
<ul style="list-style-type: none"> <li>• 12" drawer extension (3/4).</li> <li>• Inside drawer dimension: 24¼"W x 13½"D x 2⅝"H.</li> <li>• Minimum clearance for mounting: 27⅝"W x 19¼"D.</li> </ul>			



Description	Model	List Price
<b>Technology Modules — Worksurface Clamp (EL Silver only)</b>		
2 Power, 1 USB Hub	87P2U1C <span>S</span>	\$ 516
2 Power, 1 iPod Hub	87P2D1C <span>S</span>	\$ 630
2 Power, 1 USB, and 1 iPod Hub	87P2U1D1C <span>S</span>	\$ 768



<b>Technology Modules — Flush Mount (EL Silver only)</b>		
2 Power, 1 USB Hub	87P2U1R <span>S</span>	\$ 550
2 Power, 1 iPod Hub	87P2D1R <span>S</span>	\$ 665
2 Power, 1 USB, and 1 iPod Hub	87P2U1D1R <span>S</span>	\$ 802



<b>Worksurface Power/Data Module (PR6 Silver only)</b>		
2 Simplex receptacles, 1 data position	870302	\$ 194

**A** Available in **Everyday Advantage**. Check fabrics and finishes listings for **A** selections.

**E** Available in **Express Solutions**. Check fabrics and finishes listings for **E** selections.

<p><b>How to specify —</b> Select the Model Number from above.</p>	<p><b>1st Option:</b> <b>Paint (if applicable):</b> <span>C</span> <span>S</span> See inside front cover for finishes.</p>	<p><b>1st Option:</b> <b>Technology Module Color:</b> EL Silver</p>	<p><b>1st Option:</b> <b>Worksurface Power/Data Module Color:</b> PR6 Silver</p>	<p><b>2nd Option:</b> <b>Lock (if applicable):</b> STD Standard Lock OMT Omit Lock Core (Deduct \$16)</p>
<p>_____</p>	<p><b>P</b>   _____ .</p>	<p><b>E</b>   <b>L</b>   _____</p>	<p><b>P</b>   <b>R</b>   <b>6</b>   _____</p>	<p>_____</p>

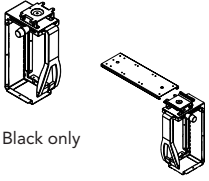
Examples: MRK36 CSDC19.P4J.STD87P2U1R.EL 870302.PR6

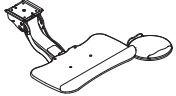
S Shippable by small-package carrier.


# Ergonomics Extensions™ — CPU Hammock™ / Keyboard Platforms / Sleeves / Footrest


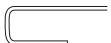
For specification information see pages 383-384 of the 8/10 Systems Specification Guide.

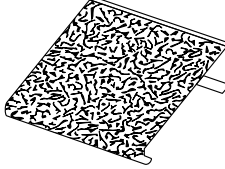
GSA SIN 711-1, 711-2, 711-11

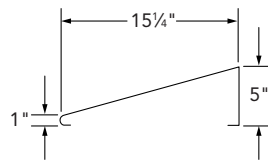
ACPU2	Description	Model	List Price
 <p>Black only</p> <p>ACPU3</p>	<b>CPU Hammock™ (Black only)</b>		
	<b>E</b> Fixed position	ACPU2 <b>S</b>	\$ 156
	Retractable suspension	ACPU3 <b>S</b>	\$ 225

 <p>Black only</p>	<b>Cobra Keyboard and Mouse Platform</b>		
	<b>A E</b> 19"W x 11"D	AKMK <b>S</b>	\$ 478

 <p>Black only</p>	<b>Keyboard and Mouse Platform</b>		
	Clamp style, Accepts keyboards 6-8½"D	AKMC <b>I S</b>	\$ 327

 <p>Edge Details</p>  <p>Model AWCS</p>	<b>Metal Corner Sleeves — for use with Concensys, Terrace, Align Systems</b>		
	<b>E</b> • Fits 1¼" thick square edge detail. (T-Mold worksurfaces) 22½"W leading edge x 18"D.	AWCS <b>S</b>	\$ 76

	<b>Archie™ Footrest</b>		
	Black color	8048-200 <b>D S</b>	\$ 85



**D** Discontinued 2/12/2012

**I** De-emphasized 11/30/2008

**E** Available in Express Solutions. Check fabrics and finishes listings for E selections.

<p><b>How to specify —</b> Select the Model Number from above.</p>	<p><i>1st Option:</i> CPU Hammock Color: P27 Black Only</p>	<p><i>1st Option:</i> Paint (if applicable): <b>C S</b> See inside front cover for finishes.</p>
<p>_____ . <b>P 2 7</b></p>	<p>_____</p>	<p>_____</p>

Examples: ACPU2.P27

8048-200

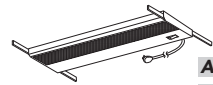
**S** Shippable by small-package carrier.

# Illumination

## Extensions™ — Task Lighting

For specification information see pages 385-386 of the 8/10 Systems Specification Guide.

Open Market / GSA SIN 711-1 (as noted)



Open Market

Description	Model	List Price
<b>Task Lights (Black only)</b> — Use recessed under overhead cabinets, storage shelves or hutches, comes with cord retainer clips		
<b>A E</b> Task Light for 24"W	870824 <input type="checkbox"/>	\$ 205
<b>A E</b> Task Light for 30"W and 36"W	870830 <input type="checkbox"/>	\$ 207
<b>A E</b> Task Light for 42"W and 48"W	870842 <input type="checkbox"/>	\$ 225
<b>A E</b> Task Light for 60"W, 66"W and 72"W	870860 <input type="checkbox"/>	\$ 242

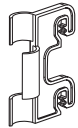
**Task Lights (Black only)** — With fused plug (satisfies Chicago electrical code)

<b>A E</b> Task Light for 24"W	870824CH <input type="checkbox"/>	\$ 266
<b>A E</b> Task Light for 30"W and 36"W	870830CH <input type="checkbox"/>	\$ 272
<b>A E</b> Task Light for 42"W and 48"W	870842CH <input type="checkbox"/>	\$ 286
<b>A E</b> Task Light for 60"W, 66"W and 72"W	870860CH <input type="checkbox"/>	\$ 304

**NOTE:** See page 437 for GSA Approved Task Lights.

### WATT USAGE

Model Number	Watts
870824	10
870830	14
870842	21
870860	28



### Cord Retainer Clips (Black only)

<b>A E</b> Bag of 50 clips	APACM2 <input type="checkbox"/>	\$ 27
----------------------------	---------------------------------	-------

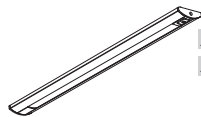


Open Market

### Link LED Light

<b>A</b> Link LED Lamp, 18" Single Arm	LNKSA <input type="checkbox"/>	\$ 375
<b>A</b> Link LED Lamp, 13"/13" Dual Arm	LNKDA <input type="checkbox"/> (shown)	\$ 400
<b>A</b> Link Freestanding Base	LNKFS <input type="checkbox"/>	\$ 99
<b>A</b> Link Low Profile Worksurface Clamp	LNKCL <input type="checkbox"/>	\$ 60
<b>A</b> Link Tool Tile Attachment	LNKPM <input type="checkbox"/>	\$ 60

### GSA SIN 711-1



GSA SIN 711-1

Description	Model	List Price
<b>LED Undercabinet Light (Anodized aluminum only)</b>		
<b>A</b> 18" Tasklight for 24"W	LED18U	\$ 505
<b>A</b> 36" Tasklight for 42"W	LED36U	\$ 756
18" Tasklight w/60 watt power supply for daisy chain	LED18U60	\$ 551
18" 15 watt Inerconnect w/30" Jumper Cord	LED18UJMP30	\$ 389
36" 20 watt Inerconnect w/30" Jumper Cord	LED36UJMP30	\$ 454

**A** Available in **Everyday Advantage**.

**E** Available in **Express Solutions**.

<p><b>How to specify —</b> Select the Model Number from above.</p>	<p><i>1st Option:</i> <b>Cord Retainer Clip Color:</b> Black only.</p>	<p><i>1st Option:</i> <b>Color (for Link Light):</b> SVR Silver BLK Black</p>	<p>_____ . <b>P 2 7 </b></p>
--	--	---	------------------------------

Examples: 870824 APACM2.P27 870824CH LED18U

LNKDA.SVR

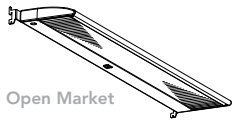
Shippable by small-package carrier.

# Illumination

## Extensions™ — Down Lights / Task Lights

For specification information see pages 385-386 of the 8/10 Systems Specification Guide.

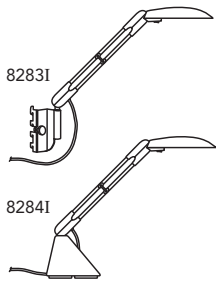
Open Market



Open Market

Description	Model	List Price	Select Paint List Price
<b>Down Light (panel-mounted task light)</b>			
Off modular panel-mounted task light for 12" to 24"W panels	ETLD24 <span>S</span>	\$ 479	\$ 516
Off modular panel-mounted task light for 18" to 36"W panels	ETLD36 <span>S</span>	\$ 512	\$ 549
Off modular panel-mounted task light for 24" to 48"W panels	ETLD48 <span>S</span>	\$ 548	\$ 585
Off modular panel-mounted task light for 30" to 60"W panels	ETLD60 <span>S</span>	\$ 601	\$ 638
Off modular panel-mounted task light for 12" to 24"W panels — Chicago code	ETLD24CH <span>S</span>	\$ 543	\$ 580
Off modular panel-mounted task light for 18" to 36"W panels — Chicago code	ETLD36CH <span>S</span>	\$ 577	\$ 614
Off modular panel-mounted task light for 24" to 48"W panels — Chicago code	ETLD48CH <span>S</span>	\$ 615	\$ 652
Off modular panel-mounted task light for 30" to 60"W panels — Chicago code	ETLD60CH <span>S</span>	\$ 667	\$ 704

Open Market



8283I

8284I

Open Market

Description	Model	List Price
<b>Panel Hung/Freestanding Task Lights (Black only)</b>		
Panel Hung Task Light	8283I <span>S</span> <span>D</span>	\$ 384
Freestanding Task Light w/base	8284I <span>S</span> <span>D</span>	\$ 393

D Discontinued 2/12/2012

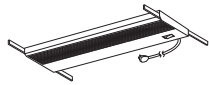
<p><b>How to specify —</b> Select the Model Number from above.</p>	<p><i>1st Option for Down Light:</i> <b>Paint:</b> <span>C</span> <span>S</span> See inside front cover for finishes.</p>	<p><i>1st Option for Panel Hung/ Freestanding Task Light:</i> <b>Paint:</b> P Black</p>	
<p>_____ . <span>P</span> _____</p>	<p><span>P</span> _____</p>	<p><span>P</span> _____</p>	

Examples: ETLD48.P7C 8283I.P

S Shippable by small-package carrier.

For specification information see pages 385-386 of the 8/10 Systems Specification Guide.

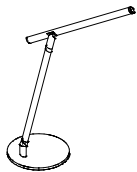
GSA SIN 711-1



Description	Model	List Price
<b>T8 Energy Efficient Tri-Phosphor Task Lights</b>		
Task Light for 24"W	GS870924 <input type="checkbox"/>	\$ 266
Task Light for 30"W and 36"W	GS870930 <input type="checkbox"/>	\$ 276
Task Light for 42"W and 48"W	GS870948 <input type="checkbox"/>	\$ 294
Task Light for 60"W, 66"W and 72"W	GS870960 <input type="checkbox"/>	\$ 315
<hr/>		
24"W Task Light with Daisy Chain Jumper	GS870924D <input type="checkbox"/>	\$ 266
30"W Task Light with Daisy Chain Jumper	GS870930D <input type="checkbox"/>	\$ 276
48"W Task Light with Daisy Chain Jumper	GS870948D <input type="checkbox"/>	\$ 294
60"W Task Light with Daisy Chain Jumper	GS870960D <input type="checkbox"/>	\$ 315

WATT USAGE	
Model Number	Watts
GS870924	15
GS870930	17
GS870948	25
GS870960	32

Pending GSA



Pending GSA

Description	Model	List Price
<b>Wand LED Task Light</b>		
Freestanding LED Task Light w/base <b>NEW!</b>	WANDFS <input type="checkbox"/>	\$ 225

<p><b>How to specify —</b> Select the Model Number from above.</p>	<p><i>1st Option for Wand LED Task Light:</i> <b>Paint:</b> SVR Silver WHT White</p>
--	--

Examples: GS870924 GS870960 WANDFS.SVR

Shippable by small-package carrier.