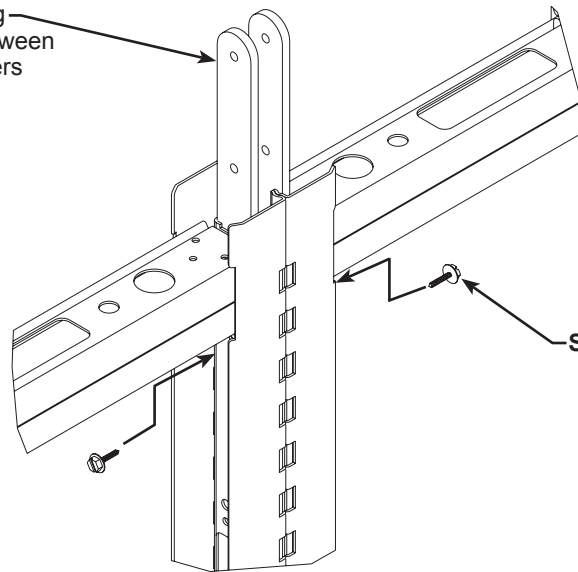


### Illustration 1. Installation of Stack-On Frames at an in-line connection (frame to frame)

#### Illustration 1a. Attach mounting brackets to frames

**Step 1** - Insert mounting brackets in-between vertical members

**Warning:** When installing glass be sure not to damage bottom horizontal shroud. If shroud does not fall into place, tap on the inside of the frame verticals so bottom shroud slides down. Do not force the horizontal shroud into place.

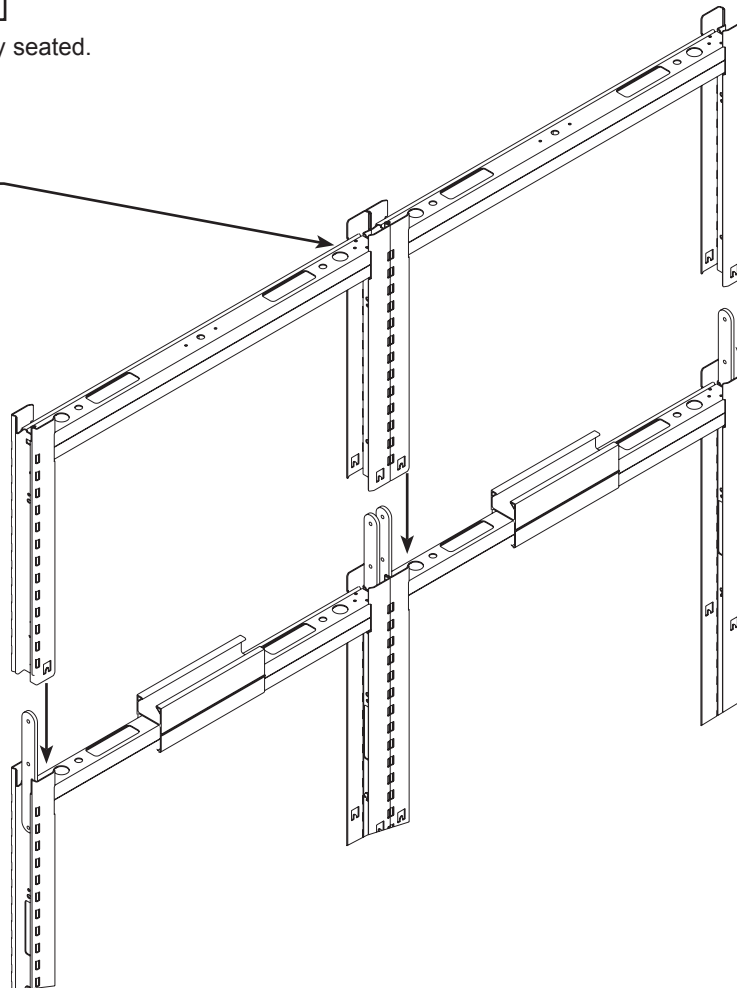


**Step 2** - Attach mounting brackets to each side of frame. From inside of frame, install a #8 x 1/2" black sheet metal screw through upper hole of panel frame and into bottom hole of mounting bracket.

#### Illustration 1b. Install stacker frames

**Note:** Ensure stack-on-frames are fully seated.

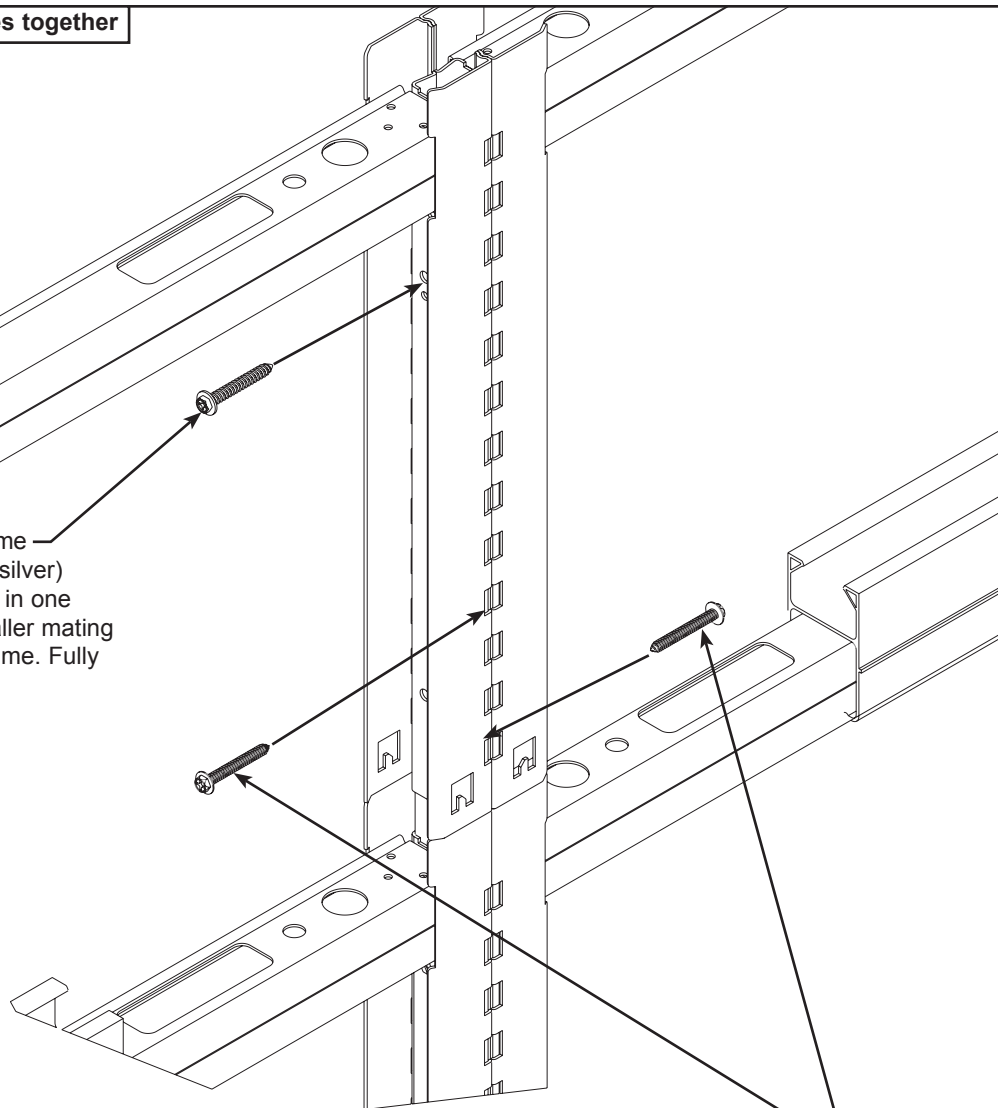
**Step 3** - Slide stack-on-frame onto mounting brackets until stack-on-frame rests on top of bottom panel frame.



### Illustration 1. Installation of Stack-on-Frames at an in-line connection (frame to frame)

#### Illustration 1c. Screw stacker frames together

**Step 4** - Install standard frame attachment screw (silver) through larger hole in one frame and into smaller mating hole of adjacent frame. Fully tighten screw.

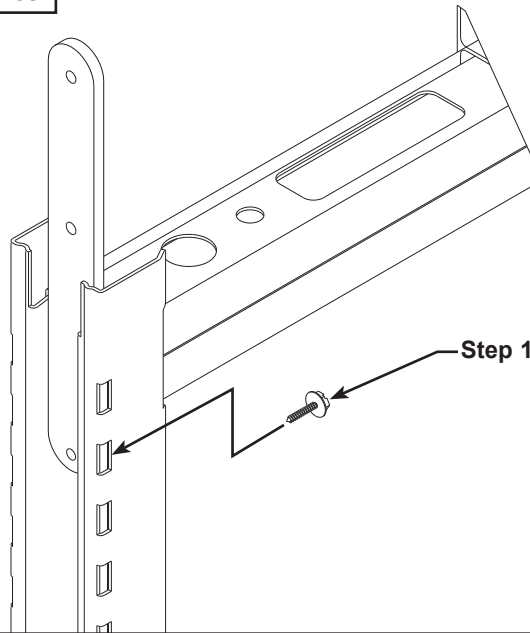


**Step 5** - Install two #8 x 1 1/2" black attachment screws through remaining holes in mounting brackets and into pre-drilled holes in stack-on-frame. Fully tighten screws so there is no visible gap between frames.

### Illustration 2. Installation of Stack-On Frames at the end of a run

#### Illustration 2a. Attach mounting bracket to frames

**Warning:** When installing glass be sure not to damage bottom horizontal shroud. If shroud does not fall into place, tap on the inside of the frame verticals so bottom shroud slides down. Do not force the horizontal shroud into place.



**Step 1** - Attach mounting brackets to each side of frame. From inside of frame, install a #8 - 1/2" black sheet metal screw through upper hole of panel frame and into bottom hole of mounting bracket.

#### Illustration 2b. Install stacker frames

**Note:** Ensure stack-on-frames are fully seated.

**Step 2** - Slide stack-on-frame onto mounting brackets until stack-on-frame rests on top of bottom panel frame.

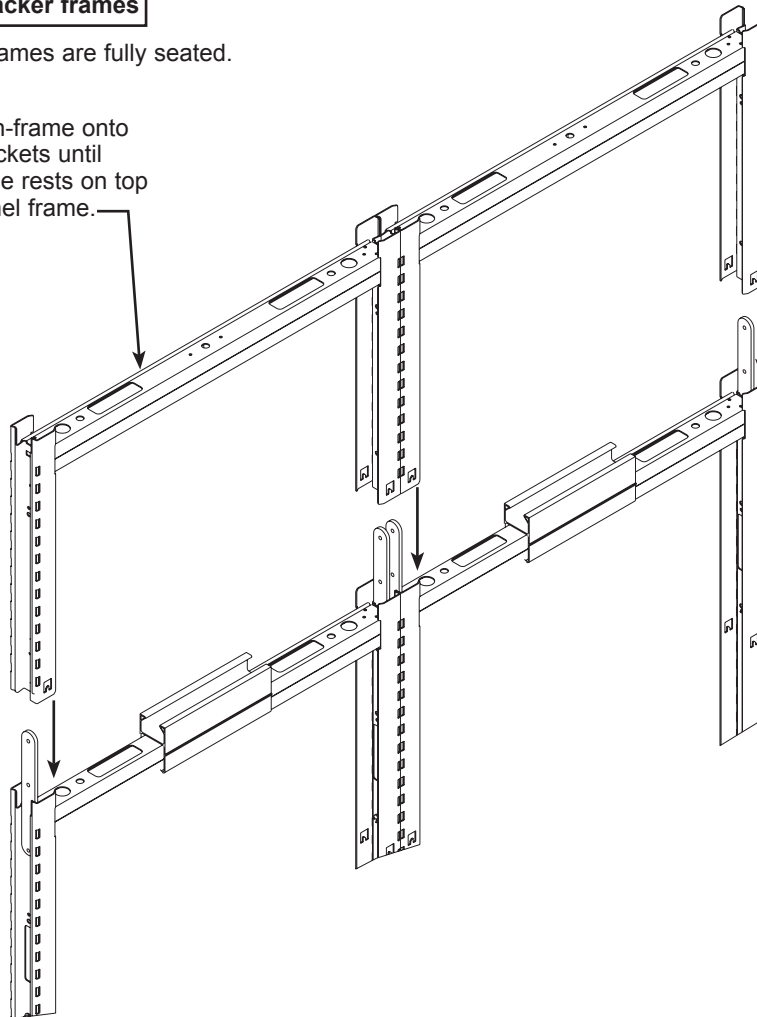


Illustration 2. Installation of Stack-On Frames at the end of a run

Illustration 2c. Attach stacker frames

**Step 3** - Install 2 #8 x 1/2" black sheet metal screws through remaining holes in mounting brackets and into pre-drilled holes in stack-on-frame.

