

- Software support packages furnished to the customer, either by Allsteel or by another source, which support the sale of Allsteel products are superseded by printed price lists.
- Prices are list prices and are subject to change without notice. All orders are subject to prices in effect at the time of order.
- Additional copies of this Price List are available upon request from Allsteel Literature Fulfillment at 1-866-255-7833.

- This Price List contains model numbers and list pricing for Stride®, Terrace DNA™, Concensys®, Align™, 50/65" H Reach®, Metal and Veneer Storage and Extensions™. The specification details for these products are located in the Systems Specification Guide.

This Price List is also available as a downloadable PDF at www.allsteeloffice.com

INTRO Pages 4-16	Table of Contents Detailed Table of Contents, New Products, COM & Specials Policies, Programs, and Allsteel's Lifetime Warranty
STRIDE 17-162	Lets you take your environment further. Mix and match worksurfaces, storage and space division for your own unique solution. Stride achieves a stunning degree of versatility and flexibility. The use of cohesive, scalable materials and finishes like painted wood creates a beautiful aesthetic in every application.
TERRACE DNA 163-210	Frame and tile system that gracefully manages power, voice and data. Enduring, Adaptive, Flexible. Terrace DNA provides multiple solutions, including Cadence freestanding desking, with one coordinated offering. Terrace DNA offers a thinner 2.6" profile with access to power and data where it's needed — at the beltline and through the base pathway. Terrace DNA looks great monolithic or segmented.
CONCENSYS 211-258	Strong, Fast and Friendly... a quality selection made easy. Durable, Easy, Fast. Built with heavy-gauge steel, Concensys is tougher than any other system in its class. For efficient, focused organizations, Concensys is easy to specify and install and is guaranteed to be delivered complete and on time. Plus, the offering includes a modular Cadence freestanding desking solution with unlimited versatility.
ALIGN 259-354	Where beauty and function converge. Align offers a comprehensive platform of panels, storage, and desking that can be seamlessly integrated and coordinated across the entire floorplan — from reception station to open plan and private offices. An incredible spectrum of material options, including veneer, offers flexibility in aesthetic and price point. Align is where beauty and function converge.
REACH 355-374	A new way to look at storage, a new way to plan space. Reach storage integrates with Terrace DNA and Stride panel systems. Or combine freestanding furniture with Reach in the open plan and define interactive workspaces. Either way, Reach creates offices where high-capacity storage is within arm's length and files and piles, peripherals, and electronics are out of the way, which makes your desk one continuous, productive workspace.
STORAGE 375-428	The art of putting everything into the perfect place. Align Storage makes a strong aesthetic statement and integrates with Align or other panels. Dress up drawer or door fronts with any material you choose, from veneer to Landscape surfaces. Choose from metal or veneer cases. You'll find overheads, personal towers, laterals, pedestals, and other storage components for whatever kind of work you do, all made for a lifetime of use. Persona offers a full range of unique features. Available in a wide variety of customizable configurations with personalized details on everything from pull styles, paint colors, drawer configurations and more. Essentials is a full offering of filing solutions that meet almost any need, integrate seamlessly with panel systems, complement a range of interior designs, and are easy on the bottom line. The Essentials Collection offers personal towers and files, bookcases, laterals, overheads, and pedestals — freestanding, mobile, support, or suspended.
EXTENSIONS 429-437	Work tools worth their weight in utility. Extensions is a complete line of organization, ergonomic, and lighting tools that make the best use of worksurfaces and workspace. They personalize space, provide a logical place for everything, and keep it all within arm's reach for handy ease-of-use. Extensions work with Concensys, Terrace, Stride, and Align systems.
APPENDIX 438-466	Information on locking specification, pricing for grades 7-9, Replacement Parts Order Form, and a Model Number Index

Systems Pricer Overview	3	TERRACE DNA	
Table of Contents	4-5	<i>Frames</i>	
New, Revised, and Discontinued Products.....	6	Base Panel Frames and Footed Panel Frames	164-165
Special Paint, Stain, and Laminate Policy	7	Stacking Frames, Segment Bars, Horizontal Stiffener Support.....	166
COM Policy.....	8-9	Doors	167
ClearTech Care Instructions.....	10	Raceway Conversion Kits	168
Program Terms and Conditions.....	12-13	<i>Connectors and Trim</i>	
Typicals Overview	14-15	Top Trim.....	169
Allsteel Lifetime Warranty	16	Painted Trim with Painted Top Cap	170-171
		Painted Trim with Veneer Top Cap	172-173
		Veneer Trim with Veneer Top Cap	174-175
		Top Stabilizer Brackets.....	176
		Wall Track	177
STRIDE		<i>Tiles</i>	
<i>Frames</i>		Tackable Acoustical Tiles	178-181
Panel Frames/Footed Panel Frames.....	18-19	Landscape Tiles	182-189
Stacking Frames, Segment Kits and Conversion Kits	20	Glass Panel Mounted Screens	190
Low Profile Glass Stacker Kits and Tie Brackets.....	21	Veneer Tiles	191
Doors	22	<i>Electrical and Data</i>	192-195
<i>Connectors and Trim</i>		<i>Worksurfaces</i>	
Flat Top Trim.....	23	Worksurfaces	196-201
Connector Blocks	25	Countertops & Countertop Kits	202-203
2-Way Light Block and Vertical Trim	26	9120 Worksurface Program.....	204
3-Way Light Block and Vertical Trim	27	Supports	205
4-Way Light Block and Vertical Trim	28-29	<i>Cadence</i>	
120° Light Block and Vertical Trim	30	Supports, Wall Track	206
Vertical Trim and Light Block without Top Trim	31	Modesty Panels	207
Wall Mount and Wall Track	32	<i>Overheads and Hutches</i>	
<i>Tiles</i>		Overheads and Shelves	208-209
Tackable Acoustical Tiles	34-38	Hutches and Tackboards	210
Landscape Tiles	39-45		
Panel Mounted Screens	46-47	CONCENSYS	
Veneer Tiles	48-52	<i>Panels</i>	
<i>Off-Modular</i>		Tackable/Non-Tackable/GSA Acoustical Panels.....	212-214
Non-Rail Based Off-Modular.....	55	Stacking Panels and Glazed/Half-Glazed Panels	215
Rail Based Off-Modular	56-57	Technology Panels	216
<i>Electrical & Data (8-Wire)</i>	58-61	Doors	217
<i>Worksurfaces</i>		<i>Connectors</i>	
Laminate Flat and Rabbet Edge		Panel Connectors	218-219
Worksurfaces	62-72	End Covers and Wall Mount Kits	220
Countertops	73	Stacking Connectors and End Covers	221
Fluid Form and Laminate Flat Edge		Technology Connectors	222
Countertops	73	Variable Height Finish Kits	223-224
Worksurfaces	74-78	Tackboards and Service Kit.....	225
Sit-to-Stand Height-Adjustable Mechanism and Worksurfaces	79	<i>Electrical and Data</i>	226-229
Altitude Dual Surface/Adjustable-Height Tables	80-81	<i>Worksurfaces</i>	
Veneer Square and Rabbet Edge		Flat Edge	
Worksurfaces	82-90	Worksurfaces.....	231-238
Countertops	91	Countertops	239
Worksurfaces	92-95	Altitude Dual Surface	240
Altitude Adjustable-Height Tables.....	97	T-Mold Edge	
Supports	98-102	Worksurfaces	241-245
<i>Screens and Modesty Panels</i>	104-105	Countertops	246
<i>Painted Wood Storage</i>		Radius Edge	
Credenzas		Worksurfaces	247
Pedestals	107	Supports	248-249
Low and High Credenzas.....	108-114	<i>Cadence</i>	
Accessories and Seat Cushions	115	Supports	250
Credenza Rail and Trim	116-117	Modesty Panels.....	251-252
4-Wire Electrical for Credenzas	118	Metal Center Drawer	252
Towers		<i>Overheads and Hutches</i>	
42½"H, 50"H and 65"H Towers.....	119-123	Overhead Cabinets	253-254
Combination Files and Veneer Front Combination Files	124	Shelves and Tackboards	255
42½"H, 50"H and 65"H Veneer Front Towers	125-129	Persona and Essentials Hutches	256-257
Accessories	130	Open Hutches and Accessories	257-258
Overhead, Horizontal, and Perch Cabinets			
Overhead Cabinets	132-135		
Horizontal Storage.....	136		
Perch Cabinets	137		
<i>Metal Overheads</i>			
Overhead Cabinets, Shelves and Up-mount Kits	138-139		
<i>Benching</i>			
Worksurfaces.....	140-143		
Supports	144-145		
Electrical.....	146-149		
Screens.....	150-153		
Painted Wood Storage	154-155		
Accessories.....	156		

ALIGN

Frames

Base Panel Frames	260-261
Doors	262

Connectors

Painted Trim with Painted Top Cap	263-267
Veneer Trim with Veneer Top Cap	268-272
Veneer Full to the Floor Trim with Veneer Top Cap	273-276
Wall Track and Off-Module Kits	277

Tiles

Tackable Acoustical Tiles	278-281
Landscape Tiles	282-286
Veneer Tiles	287-290

Stack-to-Ceiling

Frames and Doors	292
Connectors and Top Trim	293
Tiles	294

Electrical and Data

Worksurfaces

Laminate with Flat Edge

Worksurfaces	300-307
Countertops (Flat, Rabbet, and Eased Edge)	308

Veneer with Square Edge

Worksurfaces	310-316
Countertops	317

Veneer with Waterfall Edge

Worksurfaces	318-320
Countertops (Waterfall, Knife, and Rabbet Edge)	321

Supports

Worksurface Supports	322-323
Countertop Bracket Kits	324
Wall Track Kits	325

Deskings

Metal Desk Components	326-327
Metal Modesty Panels	328
Veneer Desk Components	329
Landscape Modesty Panels	330-332

Veneer Casegoods

Square Edge	334-337
Waterfall Edge	338-342
Veneer Desk Accessories	343
Veneer Hutches and Tackboards	344-345

Overheads and Hutches

Metal Overhead Cabinets and Shelves	346-349
Veneer Overhead Cabinets and Shelves	350-351
Metal Hutches and Tackboards	352-353

REACH STORAGE

50"H and 65"H Bottom Level	356-357
15"H and 30"H Top Level	358-359
Doors with Landscape Surface for Top Level	360
Accessories	361
Wardrobe Cabinets and Doors	362
Frames and Metal Finished Ends for Terrace DNA/Stride	364-365
Off-Modular Tile Kits and Brackets	366
Electrical Components	367
Worksurfaces/Supports	368-374

PERSONAL STORAGE

Align

Pedestals	376-380
Personal Files	381
Personal Towers — Heights for Align	382-383
Personal Towers — Heights for Stride and Terrace DNA	384-385
Veneer Pedestals	386-388
Veneer Personal Files and Personal Towers	389

Persona

Pedestals	390-391
-----------------	---------

Essentials

Pedestals	392-395
Personal Towers	396
Personal Files	397

Cubby Storage

SHARED STORAGE

Align

Metal Lateral Files	400-403
Metal Combination Files	404-407
Metal Bookcases and Veneer Bookcases	408
Veneer Lateral Files	409-411
Veneer Combination Files	412-414

Persona

Lateral Files	415-418
Storage Cabinet and Bookcases	419
Combination Files	420
Overfile Cabinets	421

Essentials

Lateral Files	422
Storage Cabinets, Combination Files, and Bookcases	423

Accessories

Align, Persona, and Essentials Lateral File Accessories	424-425
Lateral File Tops	426

Vertical Files

EXTENSIONS

Tool Tiles and Tool Rails	430-431
Work Tools	432
Marker Boards, Metal Center Drawers and Technology Modules	433
CPU Hammocks, Keyboards, Metal Corner Sleeves, Footrest	434
Illumination	435-436

APPENDIX

Locking Specification/Easy Lock	438-440
16x20 Fabric Samples	441
Fabric Grades 7-9 and Upholstery Grades J-Z	442-446
Replacement Parts Order Form	447
Index	448-466

NEW PRODUCTS

Storage

Receding Door Overheads — see page 139
Essentials Personal Files — see page 397

Extensions

Daisy Chain options for LED Under Cabinet Light — see page 435
Low Profile Worksurface Clamp for Link — see page 435

Stride

Panel Frames Without Top Trim & Knockout on 1 side — see page 18
Veneer Connectors and Trim — see pages 23-32
¾" Thick Glass Screens — see pages 104-105
Benching — see pages 140-156
Laminate Storage — see pages 107-136

Terrace DNA

Frames without Top Trim — see page 164
Footed Panel Frames — see page 165
22½", 57½"H, 87½"H Connectors — see pages 170-175
7½"H, 22½", 57½"H Tiles — see pages 178-191
Frameless Glass — see page 190

Finishes

Edge Colors — Cinnamon Cherry (EDJ), Dark Red (EDN), Natural Maple (EDD),
Savoy Cherry (EDS), Shaker Cherry (EDF) — available 10/17/2010
Painted Wood — Flint (M16) — available 4th Quarter 2010
Glass — Clear (LC), Frosted (LF) — available 8/29/2010
Laminates — Brownstone (LM13), Bungalow (LM12), Flint (LM16), Loft (LM11),
Muslin (LM15) — available 4/24/2011

Fabrics

Apport — available 11/7/2010
Reflections — available 11/7/2010
Refuge — available 11/7/2010

REVISED PRODUCTS

Terrace DNA

Panel Frames with Top Trim de-emphasized — effective 9/26/2010

Finishes

Laminate — Shaker Cherry code change from LT7B to LT7C — effective
10/17/2010

Fabrics

Stagger reactivated on Concensys Connectors — effective 8/29/2010

DISCONTINUED PRODUCTS

Align

Align™ Table Tops and Bases — Full line including Occasional Tables (8/29/2010)
Selected Natural Veneer Tiles Sets (8/29/2010)
Selected Veneer Waterfall Edge Worksurface — P-Shape, Dual Surface, Non-Cross
Grain Reversed Cope, T-Span, 30"D Corner, 30"D Cross Grain, 36"D Bullet,
30" Corner Coves (8/29/2010)
Selected Veneer Square Edge Worksurfaces: Dual Surface, 30"D Reef, 30"D
Boomerangs, 30"D D-Shape (8/29/2010)
Align Connectors — 120 degree, Segmented, and Veneer Top Cap w/Painted Trim
(8/29/2010)
Electrical/Data — Align Beltline 3-Circuit Power Harnesses, Concensys 12"W
Pass-Thru Harnesses, Selected AMP products (8/29/2010)
Veneer Ported Tiles and Frequency™ Tiles (8/29/2010)

Terrace DNA

Selected Wave Edge Worksurfaces: Reef, Bow Tops, 30"D Jetty, 30"D D-Shaped
(8/29/2010)
Selected Veneer Square Edge worksurfaces: Dual Surface, 30"D Reef, 30"D
Boomerang, 30"D D-Shape (8/29/2010)

Reach

All Reach Veneer Worksurfaces except for 24"D Secondary (8/29/2010)
Select Wave Edge Worksurfaces: Reach Rudder Cove, Reach Rudder Cross Grain,
30"D Reach Secondary (8/29/2010)

Storage

Essentials Overhead Cabinets w/Flat Flipper Doors and Lock (8/1/2010)
Essentials Overhead Cabinets w/Fabric Flipper Doors and Lock (8/1/2010)
Essentials Open Bookshelves (8/1/2010)
Essentials Stack-on Hutch w/Doors and Lock (8/1/2010)
Pedestal Reference Shelf and Compressor (8/29/2010)
Proxima — Full Line (8/29/2010)
Receding Door Overheads, Dividers, and Rails (8/1/2010)

Extensions

Catch Clip (8/29/2010)
Spotlight (3/7/2010)
Up Lights (8/29/2010)
Monitor Arms (4/10/2010)

Fabric

Systems Fabric Family 16" x 20" Sample Sets (8/29/2010)
Celestial — Raintree (8/29/2010)
Circle Shadow (1/2/2011)
Galaxy (8/29/2010)
Shoji (1/2/2011)
Timely (1/2/2011)
Tango — Cha Cha, Flamingo, Glide, Riff (8/29/2010)

Finishes

Laminate — Beigestone (TM41) — effective 6/26/2011
Laminate — Taupestone (TM32) — effective 1/23/2011
Laminate — Oxygen Evolve (LT1A) — effective 12/1/2010

Special Paint & Stain Policy

Allsteel at its own discretion may modify its standard products with non-standard paint and stain colors to meet specific needs. Dealer is required to submit a special paint or stain request via the Tailored Solutions Application on Synergy. A sample of the non-standard paint or stain color desired will be required for matching. Pricing, lead time, and order information will be provided at the time of approval.

- For each new requested stain or paint, there will be a \$500 net fee to cover supplier costs to match the special item.
- For existing, previously-approved stains or paints, there is no \$500 matching fee, however, there is a sample chip fee of \$175 net for stains and \$100 net for paints.
- Samples, preferably at least 3" x 5" chips, of the exact color desired should be sent to the Allsteel Tailored Products Group. Paint matches require (3) sample chips and stain matches require (3) sample chips. Please mail these sample chips to the address below and reference the Special Item Request Number from Tailored Solutions.

Allsteel Inc.

Attn: Lesa Wagner/Special Paint/Stain Sample
Dock Door 37-39
3000 North Hwy 61
Muscatine, IA 52761

- Allsteel will color match the sample and send control samples to the address provided in the request. Dealer will review Allsteel's color match and approve by signing the back of the sample chip. Send the signed sample back to the Allsteel Tailored Products Group.
- Product pricing for all special paints falls under the Select Paint price grade.
- Orders will not be accepted until Allsteel receives the Dealer's written approval on the color match.
- Extended lead times will apply on orders containing special paints or stains.
- Due to manufacturing techniques, materials, and quality issues, some exclusions will apply and some matches may be declined.

Important Notes

- Natural veneer is subject to nature's quality control. Differences in grain and color are naturally occurring variations and cannot be controlled by the manufacturer and cannot be considered as product defects. Natural veneer has the characteristics and beauty of a living organism; with its own variations of grain, growth, and color patterns. For these reasons, Natural veneer is preferred by many for its warmth and personal characteristics.

- Color changes will occur over time when wood is exposed to light. For this reason, when new product is ordered as an addition to existing product, there will be color variances between the old and new product. Please remember when specifying new product that although the species of veneer will be the same, additional product is being manufactured from a different tree. It may take several months for the new furniture to mature to the color level of existing product. Even with this maturation process the additional product will not be an exact match.

Special Laminate Policy

The Company at its own discretion may modify its standard products with non-standard laminates to meet specific needs. Contact the Allsteel Tailored Products Group for pre-approved Wilson Art laminates and pricing for special laminates. When requesting a special laminate please supply manufacturer, along with name and pattern number of laminate.

- Extended lead times will apply on orders containing special laminates.
- Due to manufacturing techniques, materials, and quality issues, some product exclusions will apply and some requests may be declined.

COM Program

Allsteel understands that customers may at times want to specify fabrics outside of Allsteel's standard fabric offering. Our COM program was designed to make specifying COMs on Allsteel products a simpler, friendlier, and hassle-free process. This process is simple and easy to use, and is described below under "Allsteel to Supply." If a Dealer wishes to manage the COM process themselves, they can do so by following guidelines under "Dealer to Supply". Find out more about Allsteel's COM process by emailing our COM Department at ASICSCOM@allsteeloffice.com.

Allsteel to Supply:

1. Select the fabric you wish to use and check the Tailored Solutions Application on Synergy. You need the COM supplier's name, fabric pattern name, and color name to search for approved fabrics.
2. If your fabric is listed as an approved fabric, you may place your order directly with Allsteel Customer Support. Please use the fabric code (e.g., S216426XP) from the Tailored Solutions Test Request on your order in the place of the standard fabric code. **Make sure to mark on the top of the order "Allsteel to Supply."** If your fabric is not listed as approved, you will need to complete a COM Test Request on Tailored Solutions. Allsteel will arrange to obtain test fabric and you will be notified of the results within 3 to 5 working days of receipt of the test yardage by Allsteel.
3. If the fabric is approved, you will receive an email summary from Tailored Solutions with the correct price grade and fabric code for order purposes. Written COM price quotes hold pricing for 90 days after issue date.
4. Once the fabric has been approved by Allsteel, enter your order directly with Allsteel Customer Support. Allsteel will purchase all COM fabric directly from the COM suppliers and schedule for production.

In the event that the Dealer decides to cancel a COM fabric order, the Dealer is responsible for the cost of the fabric plus a handling charge that is equal to 10% of the fabric cost.

Dealer to Supply:

1. Select the fabric you wish to use and check the Tailored Solutions Application on Synergy or call Allsteel Customer Support to see if the fabric you have chosen has already been tested and approved on the product you are interested in. You need to have the COM supplier's name, fabric pattern name, and color name for this inquiry.
2. If your fabric is listed as approved, you may estimate the yardage required by using Allsteel's COM Calculator on Tailored Solutions.
3. If your fabric is not listed as already tested and approved, you will need to complete a COM Test Request on Tailored Solutions. You will need to arrange for the test fabric to be sent to:

Panel and Seating Test Fabric:

Allsteel Inc.
Attn: COM Dept.
Dock Doors 46-48
3000 North Hwy 61
Muscatine, IA 52761

Allsteel requires 3 yards of fabric for each panel system fabric being tested and 1 yard of fabric for all seating testing. Make sure to include two memo samples for each fabric to be tested with the test fabric. You will be notified of the test results within 3 to 5 working days of receipt of the test yardage by Allsteel.

4. Place your order directly with Allsteel Customer Support. **Make sure to mark on the top of the order "Dealer to Supply."**
5. All "Dealer to Supply" orders will be charged Grade B pricing for seating and Grade 2 pricing for panels. Dealers will pay for the COM fabric separately.
6. All "Dealer to Supply" fabric must be sent on a fabric roll.

7. Place your fabric order directly with the COM Supplier with instructions for the fabric to be sent on a fabric roll to:

**Allsteel Inc. — Dealer PO Number
COM Panel Production Yardage**
Dock P4-P6
3000 North Highway 61
Muscatine, IA 52761

**Allsteel Inc. — Dealer PO Number
COM Seating Production Yardage**
2900 Highway 22 East
Muscatine, IA 52761

Information that **MUST** be included in the packing slip attached to the fabric:

1. Dealer's Purchase Order number to Allsteel
2. Allsteel's Tracking number for the COM fabric
3. Dealer Name
4. Yards of Fabric

If the fabric shipment does not match the correct fabric and yardage, Allsteel will notify the Dealer for resolution.

If Allsteel receives fabric with incorrect labeling that cannot be linked to an Allsteel furniture order, Allsteel will hold the fabric for up to 7 days, while the COM Expeditor attempts to identify the order. After 7 days, Allsteel will return the fabric to sender. There are no exceptions to this policy.

Any cancelled orders are subject to cancellation charges up to the full value of the Allsteel product cancelled. Allsteel will determine the actual cancellation charge at the time the cancellation is requested.

Additional Policy Information:

The company assumes no responsibility for the overall appearance, flammability, normal durability, colorfastness, or any other quality standards. The Company reserves the right to reject a COM if the quality of the COM is not satisfactory for the product. Should this occur, the customer will be notified with an explanation within 7 working days of receipt of test materials.

The company is not responsible for fabric that has become obsolete at the COM supplier, that is of poor quality, or that is delivered late to the manufacturer from the COM supplier. Excess yardage will be disposed of at Allsteel's discretion.

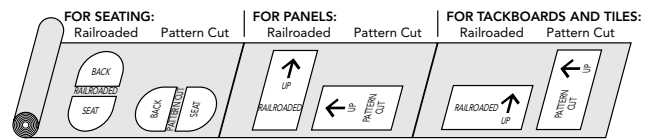
All cancellations or changes to COM orders are subject to Company approval. Because of the nature of COM, special fabrics, finishes, and structural modifications, products ordered as specials and then cancelled prior to shipment are subject to cancellation costs up to the full value of the product cancelled. The company determines the actual cancellation charge at the time the cancellation is requested. Upon approval, a cancellation number is issued to the Customer.

Purchase orders will not be accepted or entered unless the testing process is complete with positive results.

If all testing has been previously completed, re-testing is only necessary if fabric is to be used on a different product, or pattern direction has changed from that previously approved.

Previous test results can be obtained by a customer on the Tailored Solutions Application or by calling Allsteel Customer Support.

COM testing will require 3-5 working days from receipt of test yardage.



All COM fabric will be applied to seating and panel systems Pattern Cut unless Railroad Cut is requested and approved on the COM Test Request in Tailored Solutions. Any fabrics approved as a width pass, the dealer is responsible for clarifying Railroad Cut on orders containing items that are too large to support the Pattern Cut of a fabric application (any items larger than 48" high or wide).

Fire Retardant

The Dealer is responsible for ensuring that the COM fabric is certified to meet all flame retardant requirements.

For more information please contact Allsteel Customer Support.

ClearTech® Finishing System: Veneer worksurfaces by Gunlocke feature the ClearTech® Finishing System. The ClearTech® Finishing System is a process that begins with the application of dye-based NGR stains, which promote exceptional depth and clarity. Next the worksurface receives a specialized coating of polyacrylic and urethane resins cured by ultraviolet light. The result is a full-filled, 45 sheen finish with exceptional durability and chemical resistance. The remaining surfaces receive an application of catalyzed lacquer top coat, which results in a semi-filled, 45 sheen finish. These finishing processes ensure depth, clarity, color consistency and durability throughout the product.

The Benefits of ClearTech®

ClearTech® is an environmentally friendly process. This finishing system emits one third of the VOCs (Volatile Organic Compounds) in comparison to conventional processes. Polyacrylic resins are recovered and recycled when the ClearTech® process is used.

Utilizing the ClearTech® finish, your veneer worksurfaces have exceptional resistance to:

- Heat and moisture (hot beverages, pizza boxes)
- Chemicals (liquid paper, nail polish)
- Stains (permanent markers)
- Scratches and impact (everyday wear and tear)

Caring for your ClearTech finish:

- General maintenance procedures entail wiping clean the entire surface with a clean, water dampened soft cloth once per week (be sure to wipe with the grain)
- Murphy's Oil Soap may be used as a general purpose type cleaner with warm water to clean tops.
- The finish may also be polished with Guardsman Furniture Polish (contains no waxes or silicones) to provide renewed luster.
- Be sure to wipe up all spills immediately. Do not allow spills to dry.

Wood owes its inherent beauty to variations in color, grain and texture, and therefore, these variations are not considered defects. There may be minor variations from one piece of furniture to the next even though they are finished at the same time. Exposure to light and the aging process will cause a darkening of natural wood products. Light finishes on wood products do not mask the natural characteristics of wood. Allsteel does not guarantee the exact matching of grain, pattern and color.

Express Solutions®

All orders guaranteed to deliver in **10** working days or less.

Items available in the Express Solutions program are indicated throughout the pricer with **E**.

Special **E** Program Terms:

- *All Express Solutions orders are guaranteed ready to deliver in 10 business days or less from acceptance of order to any destination in the contiguous 48 states and select metropolitan areas in Canada.*
- **E** program includes nearly all of the Concensys line in standard paints, laminates, and fabrics (see inside front cover).
- *Guaranteed Delivery for orders over \$50,000 list! Delivery will be made no later than two hours of the agreed upon appointment time*.*
- Ten (10) business days does not include weekends, national holidays, or Allsteel holidays. The day the order is accepted counts as day zero (0).
- The ten (10) day clock does not start until the order is released by the Allsteel Credit Department.
- All orders must be received by 3 p.m. Central Time to be keyed that day. Orders must clearly state “Express Solutions Order.” EDI orders or fax to 1-888-329-3123.
- Express Solutions orders will ship on the lane date closest to the 5 day acknowledgement window with a guaranteed delivery within 10 days or less, no matter where in the continental U.S. it is going.
- All **E** orders must include a deliverable address (number, street, city, state, zip) and a contact name and phone number.
- Orders received for **E** product must include only **E** identified product. Product included in an order that is not listed in the price list with an **E** will cause the whole order to be acknowledged as regularly manufactured product.
- A non-discountable line item surcharge calculated at 2.5% of List Price will be applied to all Express Solutions orders.
- **E** orders are eligible for bid pricing.
- **E** orders are limited to a maximum of \$175,000 list.
- Orders cannot be changed or canceled after order entry, and will be shipped complete.
- Seating, Essentials Pedestal, and Essentials Lateral models for **E** are identified by a “Q” prefix in the model number.
- Large quantity orders of like products are subject to review.
- For complete Sales and Purchasing Terms and Conditions, refer to the Allsteel *Sales and Discount Policies*.
- For complete GSA ordering information, refer to GSA Customer Information publication supplement. Fax GSA orders to 1-888-329-3123.

* Allsteel reserves the right to choose the carrier on guaranteed deliveries and is not liable for service delays caused by force majeure (circumstances beyond Allsteel control).

Everyday Advantage®

Intelligent workspace solutions designed to a formula of functionality, versatility, durability, and value.

Items available in the Everyday Advantage program are indicated throughout the pricer with **A**.

PROGRAM TERMS

- Orders must clearly state “Everyday Advantage Order” and include the appropriate Everyday Advantage contract number: 4942 (United States), 5805 (Canada) or 5370 (government).
- Everyday Advantage (EA) orders are not eligible for bid pricing.
- The EA program is limited to select models from Concensys®, Terrace DNA™, Essentials™ laterals, Essentials pedestals, Get Set® tables, Merge® tables, as well as select seating models from Get Set, Nimble®, Relate®, Scout®, Sum®, Trooper®, Tolleson and Sensible® seating families.
- Pedestal and lateral models for EA are identified by a “V” prefix in the model number and Seating models with a “Q” prefix in the model number.
- Orders received for the EA program must only contain EA identified product. Product included in an order that is not a part of the program will cause the whole order to be acknowledged as regularly manufactured product.
- Only select finishes and fabrics qualify for this program.
- EA orders are not limited to a minimum or maximum.
- Large quantity orders of like product may be subject to a lead time longer than three weeks.
- All orders will ship in ten (10) business days or less from acceptance of an EA order. The 10-day clock does not start until all order holds are released. The day the order is accepted counts as day zero (0). Ten business days does not include weekends, national holidays, or Allsteel holidays.
- Customers may choose to have their EA order ship later than 10 days by providing Customer Support with the desired ship date on the purchase order.
- All orders must be received by 3 p.m. Central Time to be keyed that day.
- Orders cannot be changed or cancelled and will ship complete.
- Standard freight terms apply.
- If driver assistance is needed the standard driver assist charges will be added at time of order entry.

Allsteel Inc. reserves the right to amend or terminate this program at any time on 30 days written notice.

Allsteel is not liable for service delays caused by force majeure (circumstances beyond Allsteel control).

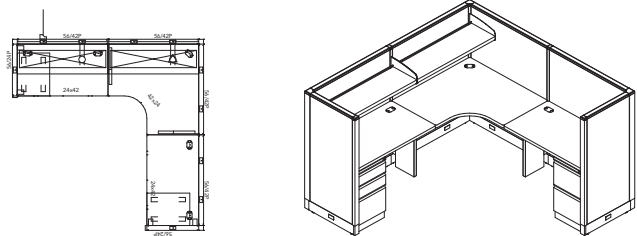
Guaranteed Lead-times

When lead-time is the critical decision factor for your RFP, please contact Allsteel Customer Support to discuss the requirements. The Customer Support group will gather key information and review your inquiry. Commitments for lead-time may be based on many factors, including critical materials availability, project size, and available capacity at the time the project will be ordered and installed.

A full gallery of typicals from each Allsteel system can be found on our website: www.allsteeloffice.com/TypicalsGallery. Each typical includes a complete BOM with current pricing, downloadable CAD files and PDFs of each drawing.

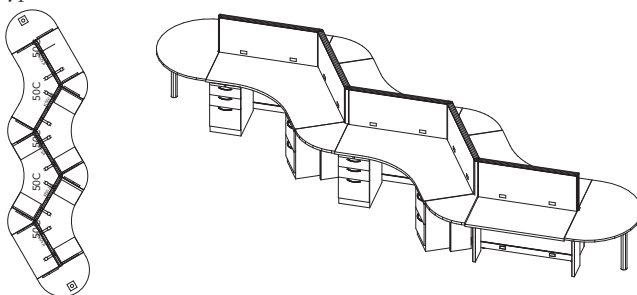
Use the Allsteel Typicals Gallery to find the components in a Single Concensys "L" Station...

Concensys "L" Station 7' x 7'
Typical #CON-05.11AA — Fabric Grade 1



Line Item	Product Description	Qty	Model Number
1	Acoustical Panel 56"H x 24"W Low Profile Painted	2	895624P
2	Acoustical Panel 56"H x 42"W Low Profile Painted	4	895642P
3	Straight Connector Kit 56"H Low Profile Painted	2	801056P
4	Ell Connector Kit 56"H Low Profile Painted	3	801156P
5	Panel End Cover – Fabric 56"H Low Profile Painted	2	801456P
6	Primary 24"D x 42"W T-Mold Edge Laminate w/Grommets	2	832442A
7	Corner 42"W x 24"D w/Radial Leading Edge T-Mold w/Grom	1	834224RA
8	Worksurface Bracket Kit (Pair)	2	831099
9	Panel Mount 24"D x 29½"H Support Leg	2	CSL2429P
10	42"W Panel Mounted Shelf	2	CS42
11	Tasklight w/Electronic Ballast for 42"W	2	870842
12	Power Harness 42"W	2	871242
13	Duplex Receptacle Circuit 1 3+1 & 2+2 Systems	1	871501
14	Duplex Receptacle Isolated Circuit 3+1 & 2+2 Systems	1	871504
15	Base Power In-Feed Cable 3+1 & 2+2 Systems	1	879072
16	Essentials Mobile Ped BBF 28"H 19¼"D Beveled Pull	1	PM187-203B
17	Essentials Mobile Ped 28"H 19¼"D Beveled Pull	1	PM188-202B

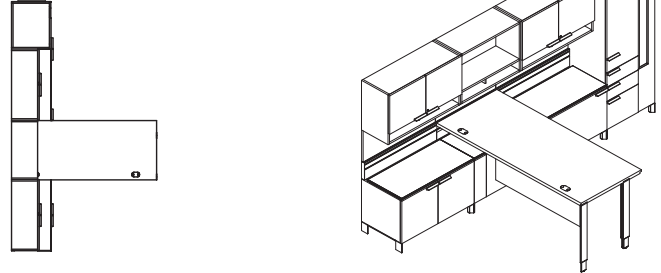
"Irregular" Shape Station 23' x 6'6" (6-pack)
Typical #TDNA-05.11AM



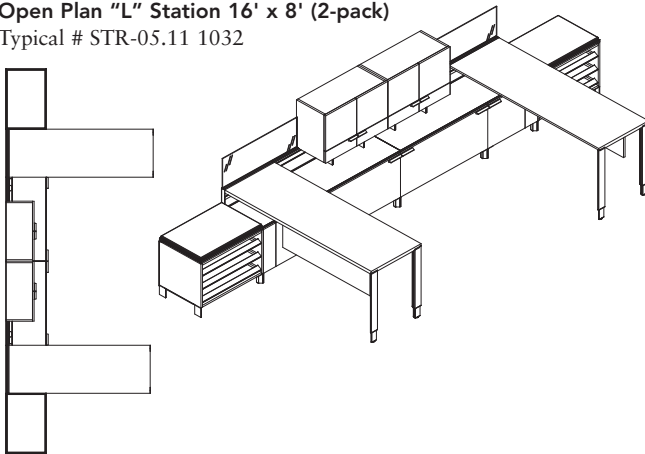
...or to understand how to build the Terrace DNA "Irregular" Shape Station.

Learn how Stride can move from Private Office...

Private Office 10'6" x 7'8"
Typical # STR-05.11 222



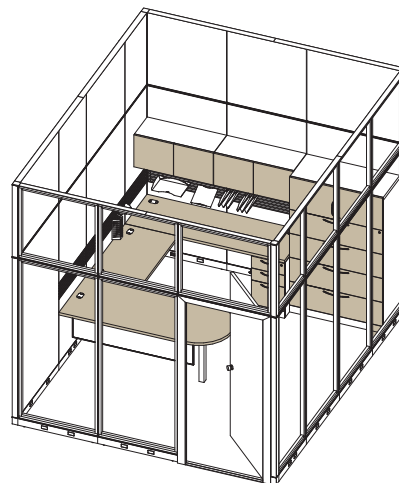
Open Plan "L" Station 16' x 8' (2-pack)
Typical # STR-05.11 1032



...to Open Plan.

And how to make Align...
Stack-to-Ceiling.

Align Stack-to-Ceiling Station 9'6" x 11'6"
Typical #AA-STC-05.11AO



visit www.allsteeloffice.com/TypicalsGallery to view these typicals and more.

Lifetime Warranty

Allsteel Inc. warrants its products to be free from defects in material and workmanship for as long as the original purchaser owns them.

Allsteel shall repair or replace with comparable product (at Allsteel's discretion), free of charge, any Allsteel product or component manufactured after August 29, 2010 that fails under normal commercial office use.

This warranty is subject to the following provisions:

Some natural variations occurring in wood, leather, or other natural materials are inherent to their character and not considered defects. Allsteel does not warrant the colorfastness or matching of colors, grains, or textures of these materials. Additionally, a Customer's Own Material (COM) selected by, and used at the request of, a user is not warranted.

The materials and components listed below are covered according to the following schedule from the date of sale:

- Wood products and electrical components (lamps and ballasts are not covered) — 12 Years.
- Seating controls, wood seating, glides, pneumatic cylinders, casters and polymer-based components, stacking chairs, foam, and Sum® AutoFit® technology — 10 Years.
- User-adjustable worksurface mechanisms, tablet arm mechanisms, panel and seating upholstery fabrics, Scout® mesh, laminates, and other covering materials — 5 Years.
- #19®, Acuity®, Sum, Relate®, Trooper® asynchronous and synchro-tilt models, Scout, Seek™, and Inspire™ are warranted for multiple shifts and users up to 300 lbs. All other Allsteel chairs and components are warranted for single-shift, 40-hour workweek usage.
- #19® chair, including components and material, is warranted for as long as the original purchaser owns the chair.

- Acuity, Relate, #19, and Seek mesh/carriers are considered structural chair components and as such are warranted for as long as the original purchaser owns the chair.
- Reed LED Undercabinet Light — fixtures warranted for 3 years, power supply for 1 year.
- Link™ LED Lighting — 5 years.

This warranty does not apply to:

- Normal wear and tear over the course of ownership
- Modifications or attachments to the product not approved by Allsteel
- Products not installed, used, or maintained in accordance with product instructions and warnings
- Products used for rental purposes
- Damage caused by the carrier in-transit, which is handled under separate terms

TO THE EXTENT ALLOWED BY LAW, ALLSTEEL MAKES NO OTHER WARRANTY, EITHER EXPRESS OR IMPLIED, INCLUDING ANY WARRANTY OF MERCHANTABILITY OR FITNESS FOR A PARTICULAR PURPOSE. ALLSTEEL WILL NOT BE LIABLE FOR ANY CONSEQUENTIAL OR INCIDENTAL DAMAGES.

This warranty applies only to products sold within the United States of America and the Commonwealth of Canada.

Your Allsteel Dealer is our mutual partner in supporting your warranty requests. To obtain service under this warranty please contact your Allsteel Dealer.