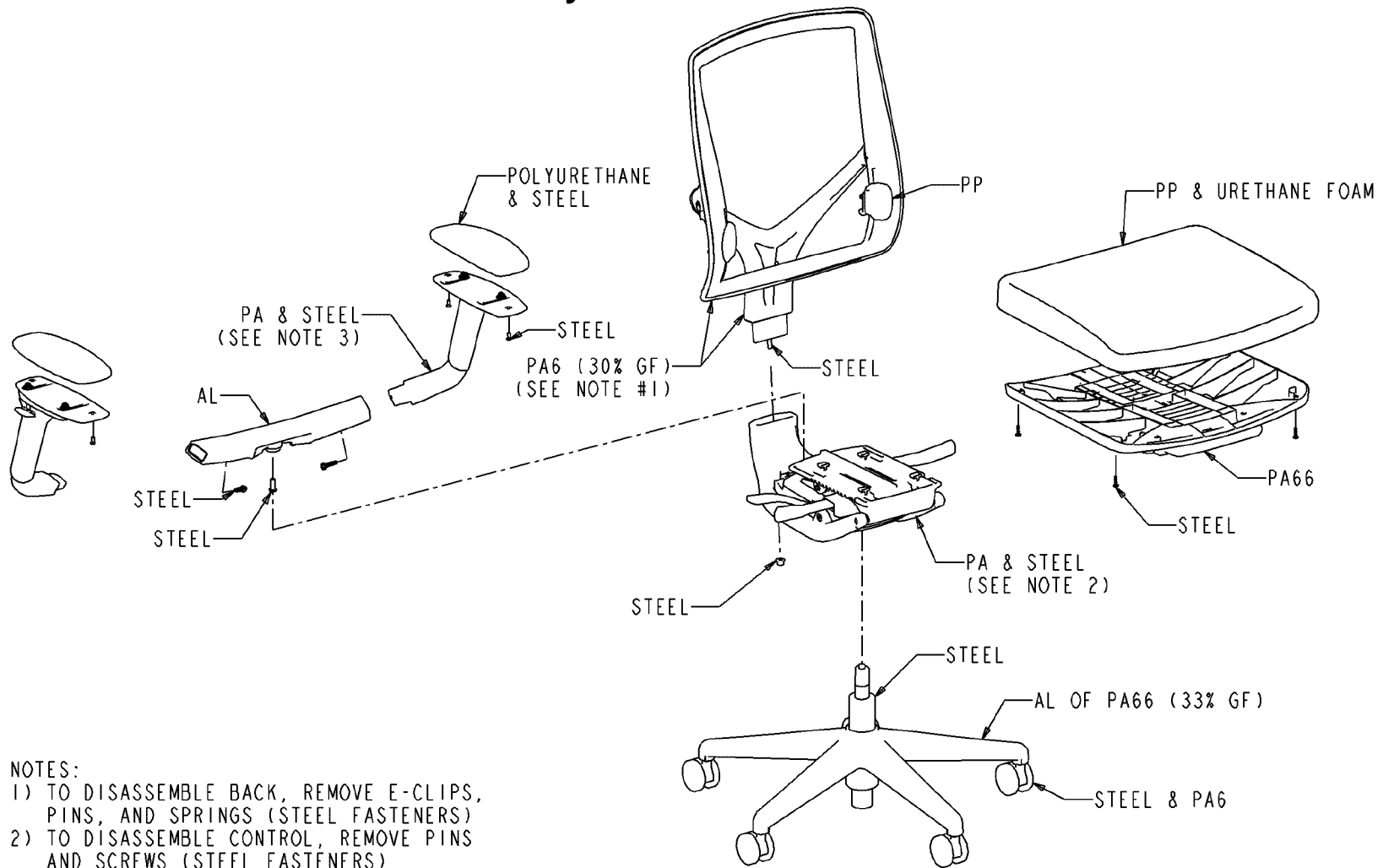


# Task Chair Disassembly



**NOTES:**

- 1) TO DISASSEMBLE BACK, REMOVE E-CLIPS, PINS, AND SPRINGS (STEEL FASTENERS)
- 2) TO DISASSEMBLE CONTROL, REMOVE PINS AND SCREWS (STEEL FASTENERS)
- 3) TO DISASSEMBLE ARMS, REMOVE SCREWS (STEEL FASTENERS)

RL-MHW  
04/15/10



Allsteel®

©2010 Allsteel Inc.